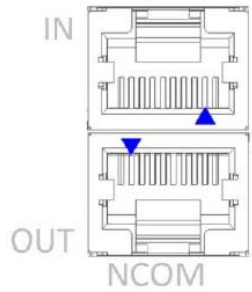


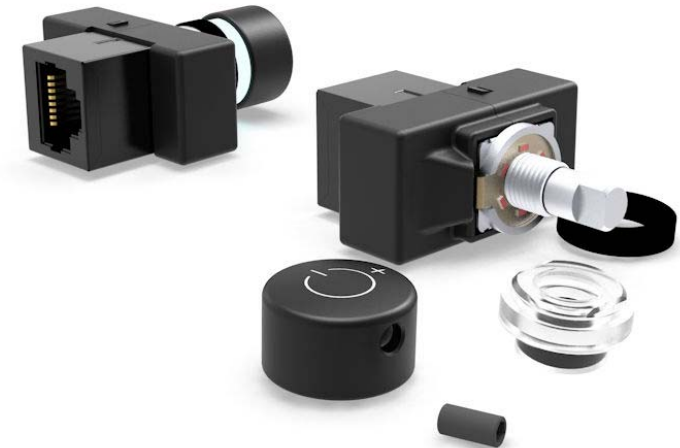
MODEL N-Line external encoder assy

0901600t-ab-x2-assy (17-07-2020)



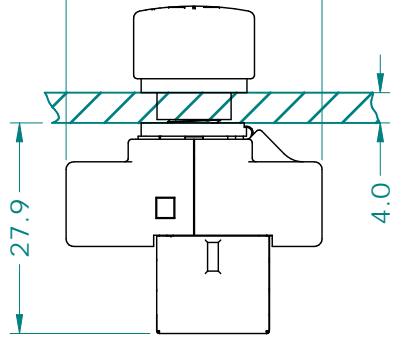
Connect to NCOM-IN use standard CAT5 cable.

FIRST disconnect power, then connect dimming knob and reconnect power.



Encoder 0901600t-a-x2

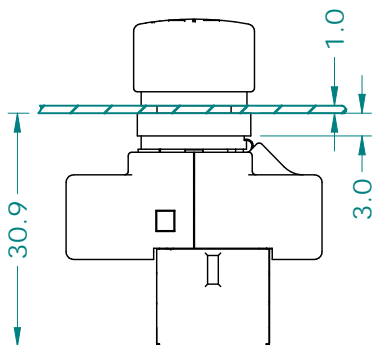
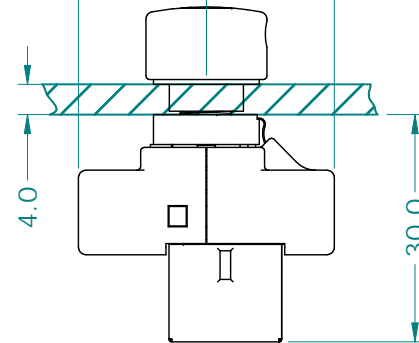
16.9 16.9



4mm glass

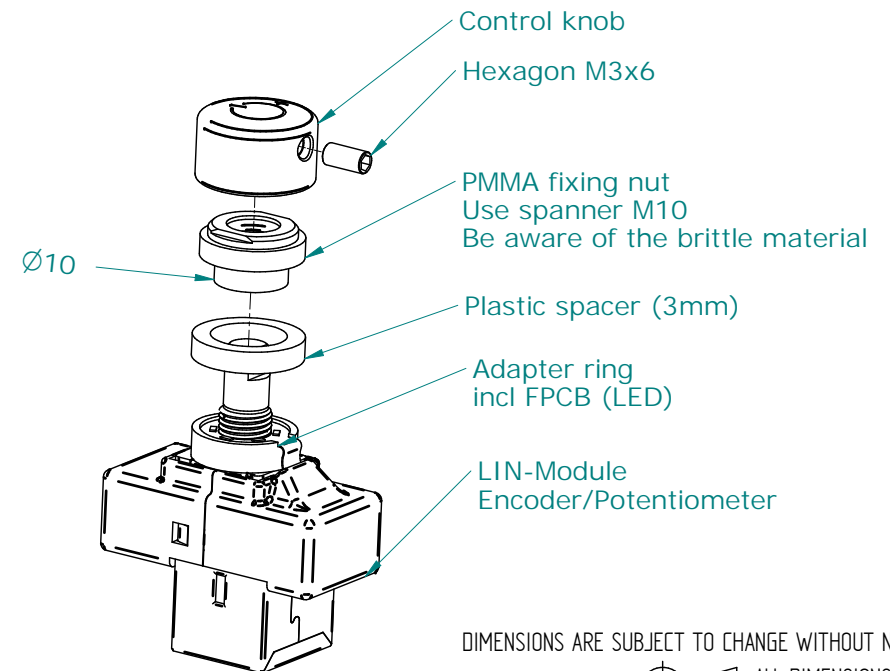
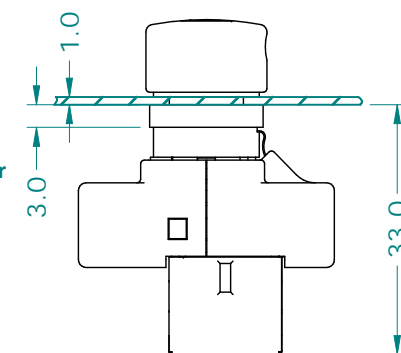
Potentiometer 0901600t-b-x2

16.9 16.9



1mm steel

Use 3mm plastic spacer



DIMENSIONS ARE SUBJECT TO CHANGE WITHOUT NOTICE

ISO 128  ALL DIMENSIONS ARE IN MILLIMETERS