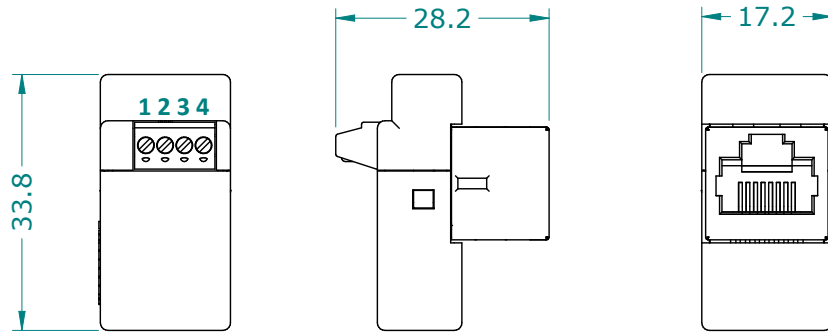
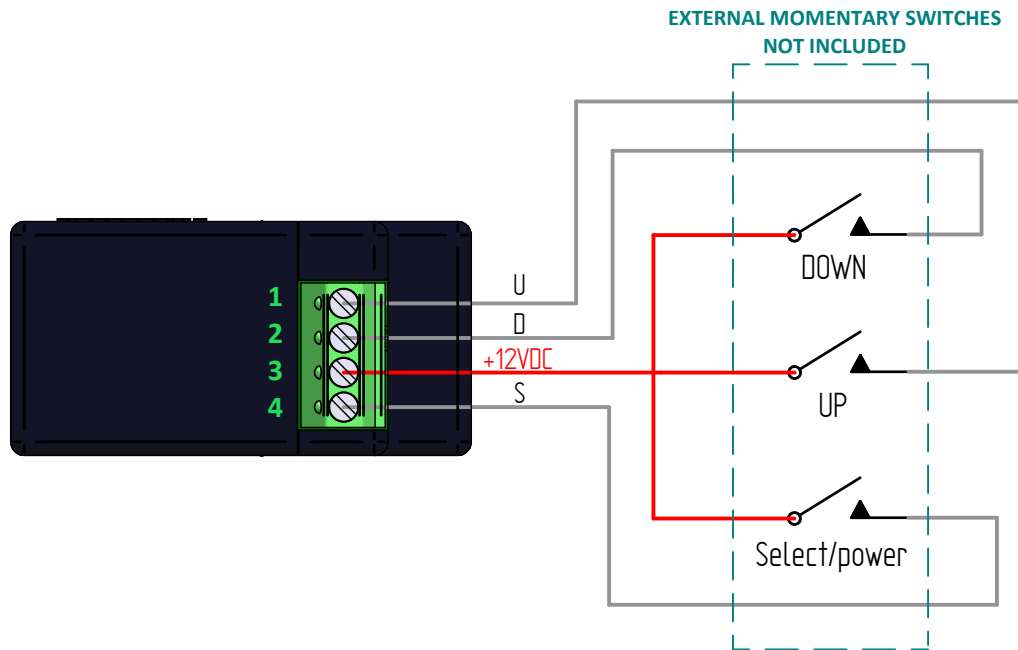
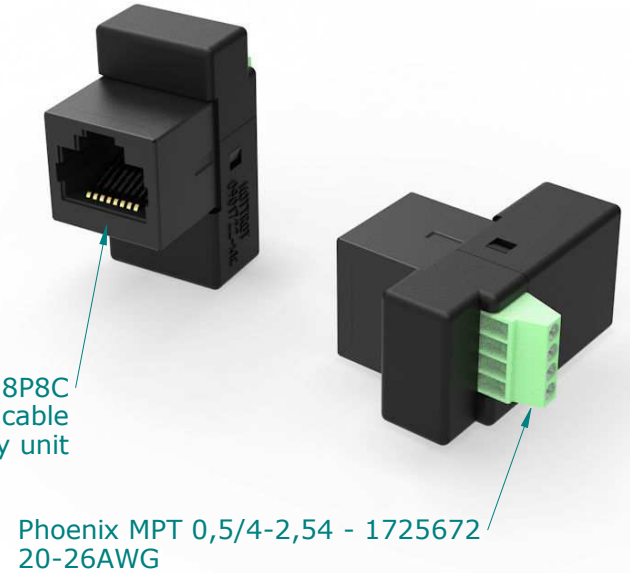


MODEL N-Line External LIN-buttons RJ45

0901600t-c-x2-assy (15-06-2020)



RJ45 8P8C
Use 1:1 patch cable
Connect to NCOM-IN on display unit



DIMENSIONS ARE SUBJECT TO CHANGE WITHOUT NOTICE

ISO 128  ALL DIMENSIONS ARE
IN MILLIMETERS