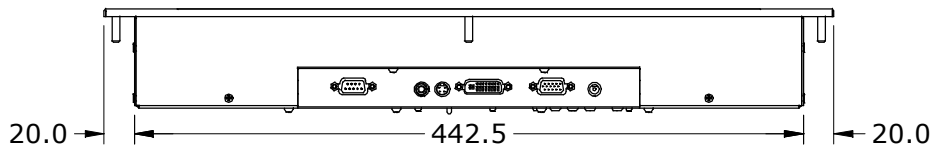
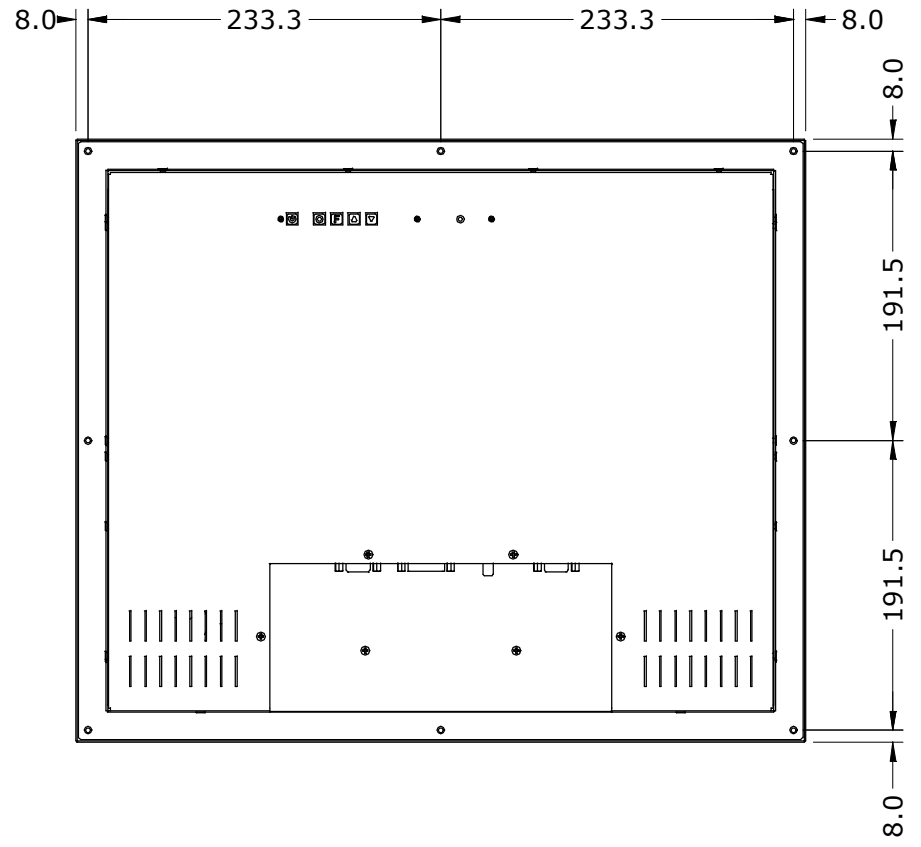
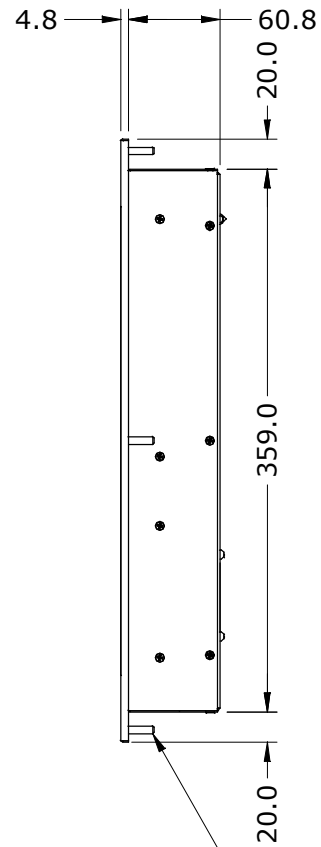
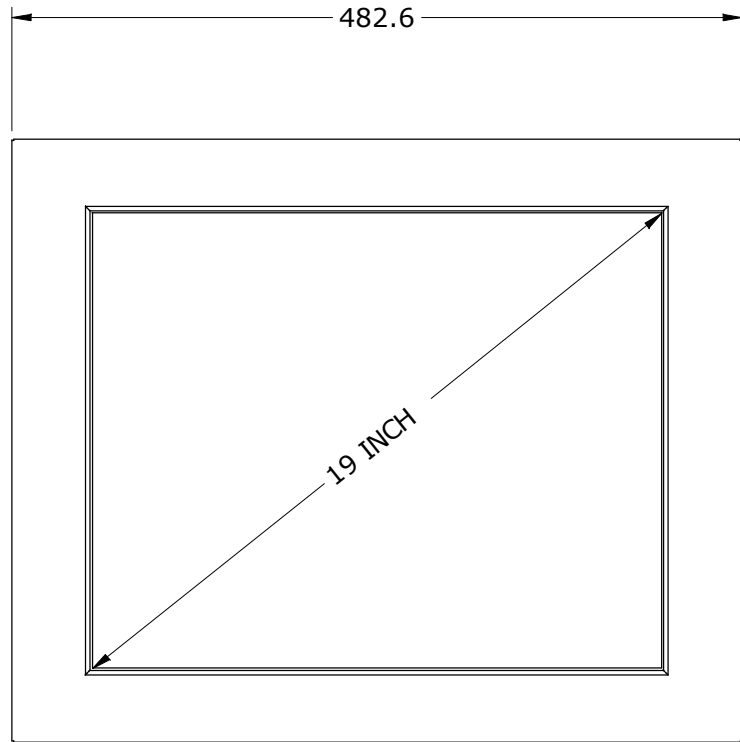


MODEL VISION 19 I-K



8 X STUD M5X17

DIMENSIONS ARE SUBJECT TO CHANGE WITHOUT NOTICE

ISO 128  ALL DIMENSIONS ARE IN MILLIMETERS