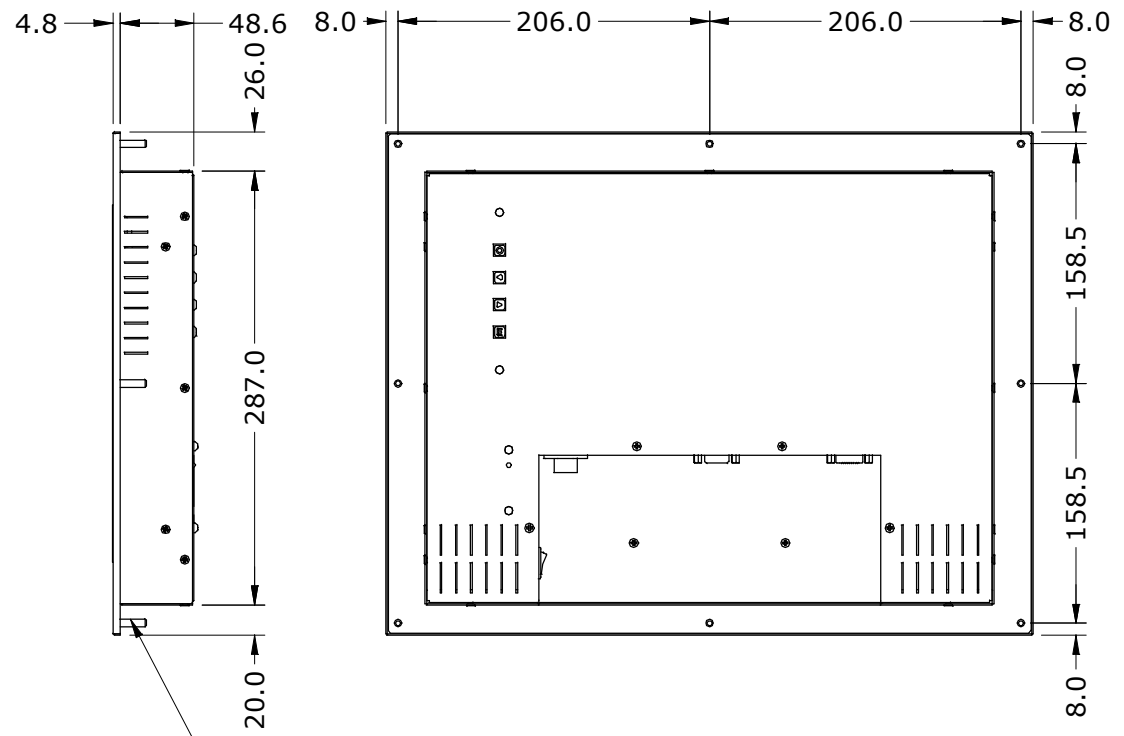
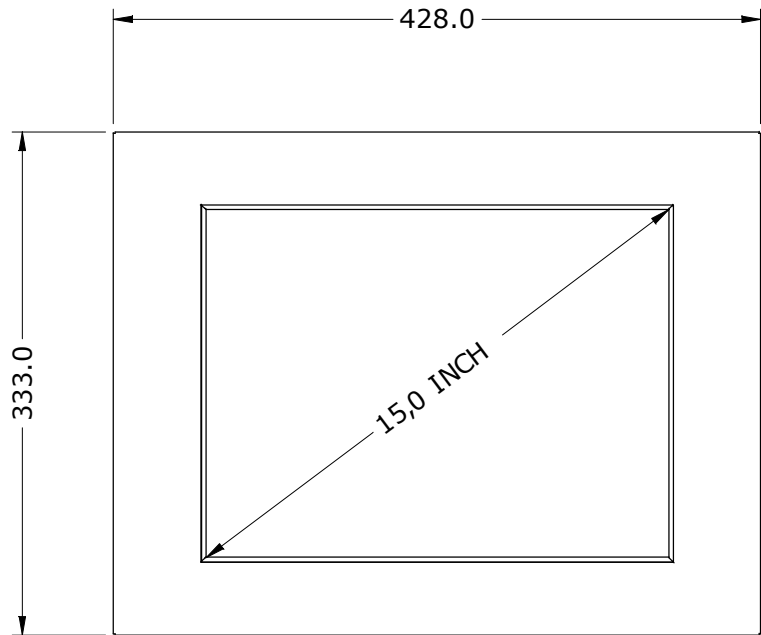
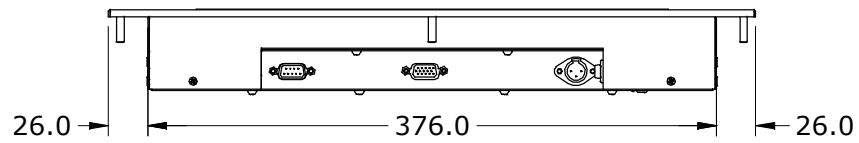


MODEL VISION 15 I-K



STUD M5x17 (8pcs)



DIMENSIONS ARE SUBJECT TO CHANGE WITHOUT NOTICE

ISO 128  ALL DIMENSIONS ARE IN MILLIMETERS